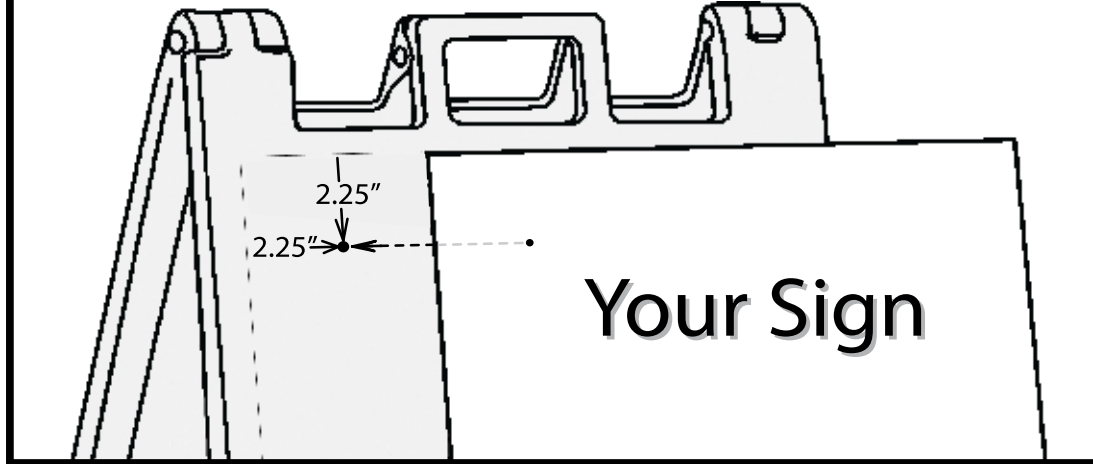
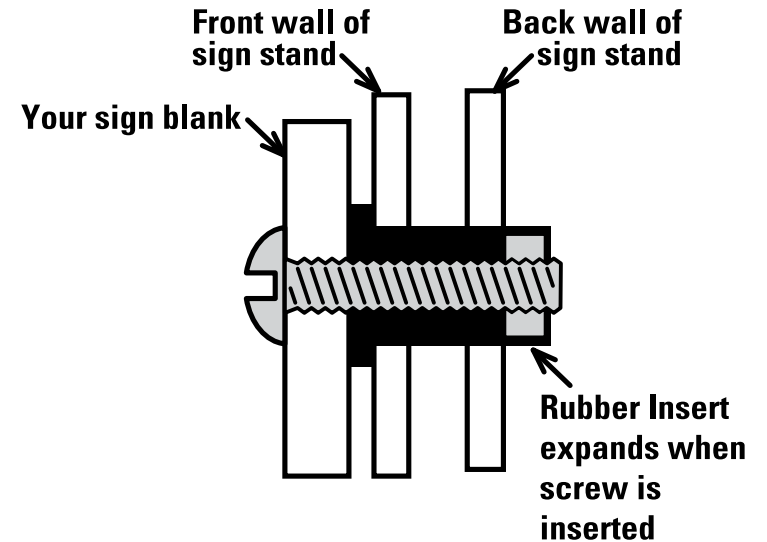


WELL-NUT INSTALLATION INSTRUCTIONS



www.BestBlanks.com



1. Lay your sign panel on the sign stand in the recessed sign area. Hold the sign securely and drill four 1/4" holes through the sign and into the sign stands. The four suggested corner hole locations are inset 2.25" from both edges (one hole in each corner). Drill through the sign and the front wall of the sign stand. If you use a non-standard hole location, it may be necessary to drill through both the front and back wall to make room to fit the rubber well-nut insert.

2. Remove the drilled sign panel. Change to a larger 1/2" drill bit. Drill out the 1/4" holes in the sign stand with the larger 1/2" drill bit. If you use a non-standard hole location, it may be necessary to drill through both the front and back wall to make room to fit the rubber well-nut insert.

3. Push the rubber inserts into the 1/2" holes in the sign stand until the flange rest against the surface of the stand. Don't worry if it fits a little loose as the rubber insert will expand when the screw is tightened.